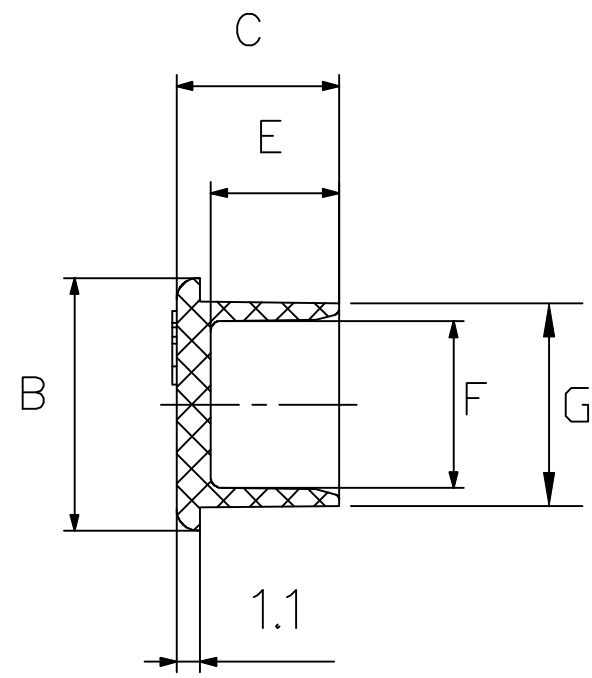
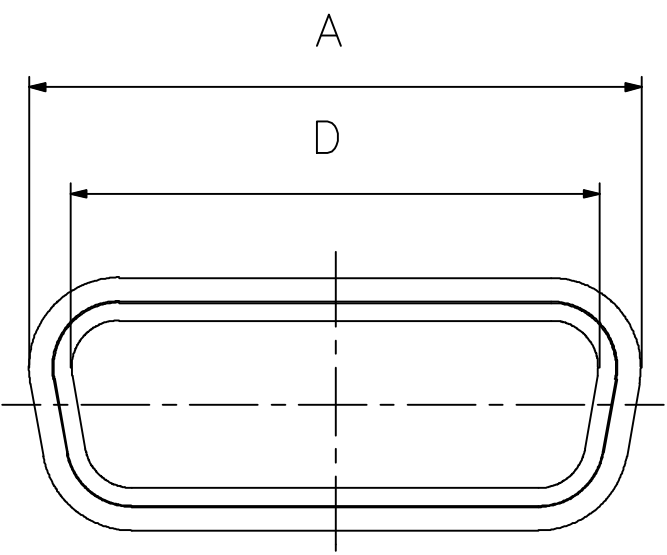


DESCRIPTION: MALE DUST CAPS W/O LANYARD-W/O CLIP



MATERIAL CHART


160-000-1YYR02Y

SERIES _____
 SHELL SIZE _____
 MATERIAL _____
 1 = RED POLYETHYLENE (STANDARD)
 2 = BLACK POLYETHYLENE (ANTI-STATIC)
 3 = ABS, SELF EXTINGUISHING UL 94-0 (SHIELDED)
 4 = METALIZED, NICKEL PLATING OVER COPPER

SHELL SIZE	±0.012 "A"	±0.012 "B"	±0.008 "C"	±0.012 "D"	±0.008 "E"	±0.008 "F"	±0.012 "G"	PART NUMBER SEE MATERIAL CHART
09	0.858	0.519	0.291	0.697	0.224	0.358	0.439	160-000-109R02Y
15	1.181	0.519	0.291	1.023	0.224	0.358	0.437	160-000-115R02Y
25	1.740	0.519	0.291	1.575	0.224	0.358	0.437	160-000-125R02Y
37	2.354	0.519	0.291	2.220	0.224	0.358	0.437	160-000-137R02Y
50	2.275	0.626	0.291	2.122	0.224	0.461	0.539	160-000-150R02Y

ALL VARIATIONS OF DUST CAP MEET PROTECTION LEVEL IP 50 REQUIREMENTS (DIN 40050)

RoHS COMPLIANT

	THESE DRAWINGS AND SPECIFICATIONS ARE THE PROPERTY OF NorComp AND SHALL NOT BE REPRODUCED, COPIED OR USED AS THE BASIS FOR THE MANUFACTURE OR SALE OF APPARATUS WITHOUT WRITTEN PERMISSION.		DRAWN: PAM JENKINS	DATE: 8-15-06
			CHECKED:	DATE:
<h1>NorComp</h1>		SCALE:	SHEET 1 OF 1	REV 3
		DWG NO. 160-000-1YYR02Y		