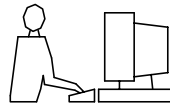


THIS IS A C.A.D. GENERATED DRAWING
DO NOT MAKE MANUAL REVISIONS TO MASTER.

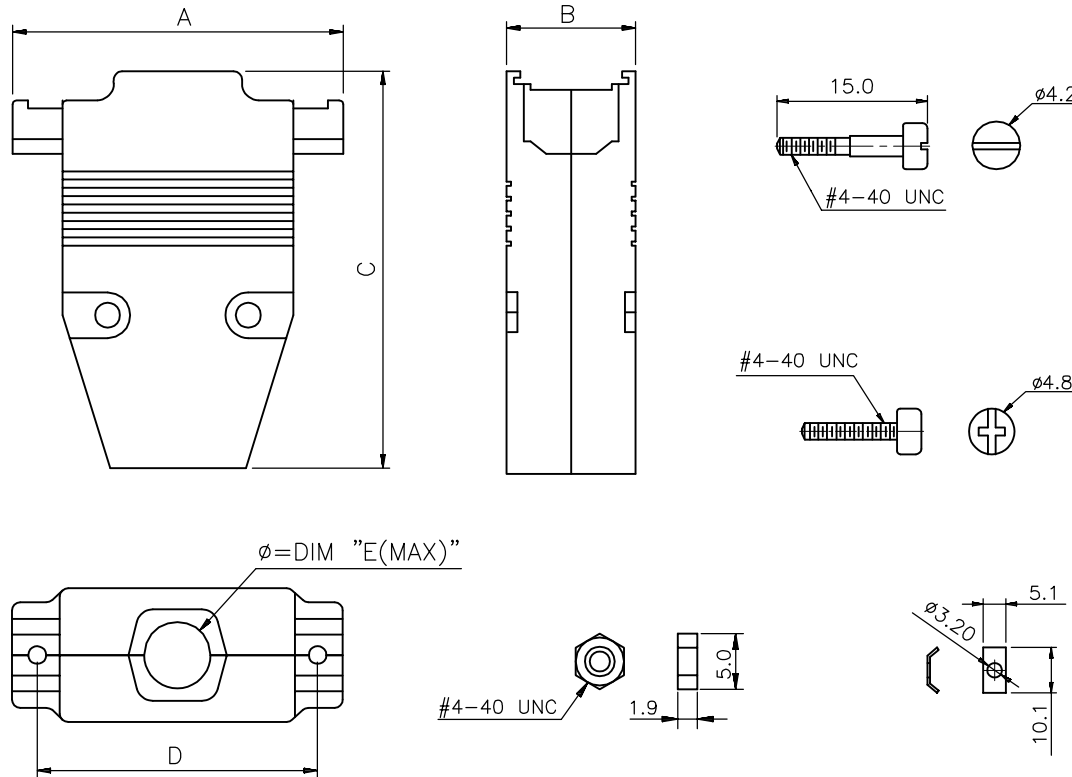


* UNLESS OTHERWISE SPECIFIED TOLERANCES
ON DECIMAL IS: ANGLE ± 5°
UNIT: MM X.X ±0.3
X.XX ±0.2

BACKSHELL KIT INCLUDES:

- (2)BACKSHELL HALVES
- (2)HOUSING SCREWS
- (2)MATING SCREWS
- (2)NUT
- (2)WASHER

PARTS OPTION:
SHORT SCREW



DIMENSIONS(mm/in)					
SIZE	A ± 0.3 ± 0.012	B ± 0.3 ± 0.012	C ± 0.3 ± 0.012	D ± 0.2 ± 0.008	E(MAX)
9	31.0	15.5	47.2	24.99	9.0
	1.220	0.610	1.858	0.984	0.354
15	40.2	16.0	48.3	33.32	10.0
	1.583	0.630	1.902	1.312	0.394
25	53.0	16.0	48.7	47.04	10.0
	2.087	0.630	1.918	1.852	0.394
37	69.0	16.2	48.7	63.50	14.0
	2.717	0.638	1.918	2.500	0.551
50	67.0	19.7	48.4	61.12	14.5
	2.638	0.776	1.906	2.406	0.571

ORDERING INFORMATION: SHORT JACKSCREWS

SIZE	P/N - KITTED	PRODUCT CODE
9-WAY	2360-0106-01	MHCCOV 9-ME
15-WAY	2360-0106-02	MHCCOV15-ME
25-WAY	2360-0106-03	MHCCOV25-ME
37-WAY	2360-0106-04	MHCCOV37-ME
50-WAY	2360-0106-05	MHCCOV50-ME

MATERIAL: ZINC ALLOY
FINISHED: CHROMATE PLATED
SCREW: STEEL, NICKEL PLATED
NUT: STEEL, NICKEL PLATED
WASHER: STEEL, NICKEL PLATED

THESE DRAWINGS AND SPECIFICATIONS ARE THE PROPERTY OF MH CONNECTORS LTD. AND SHALL NOT BE REPRODUCED, COPIED OR USED AS THE BASIS FOR THE MANUFACTURE OR SALE OF APPARATUS WITHOUT WRITTEN PERMISSION.	DRAWN HALEY		DATE 08-21-14	
	APPROVED DAMIEN		DATE 08-21-14	
	SCALE	SHEET OF 1 OF 1	REV: 6.0	
DRAWING No MHCCOVXX-ME				



THIS SERIES FULLY CONFORMS TO THE EUROPEAN UNION DIRECTIVES 2002/95/EC AND 2002/96/EC FOR RoHS COMPLIANCY.



MH CONNECTORS LTD.